



Features

- Flow sensitivity range: 4-10 GPM(15-38LPM).
- Contact rating: 8A@250VAC, 3A@24VDC,2.5A@ 30VDC.
- Working Pressure: 450PSI.
- Working Temperature: 0°C to 68°C.
- Corrosion Protection: Fusion Bonded Epoxy Coated Interior and Exterior or Enamel Spray Paint, Interior and Exterior.

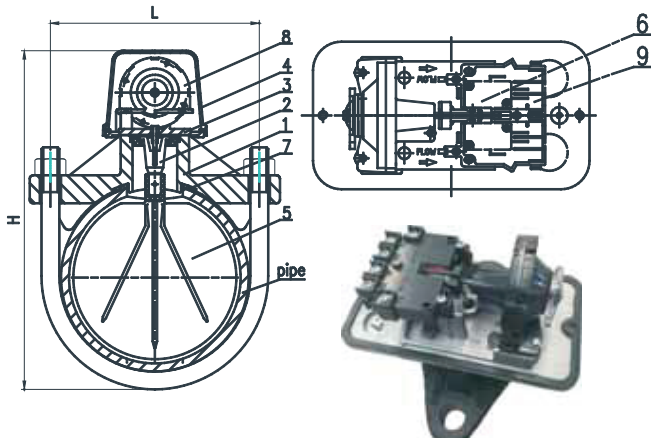
Advantages

- Designed for both indoor and outdoor use; temperature range 0° C to 68° C.
- Equipped with tamper resistant screws to prevent unauthorized entry.
- Two synchronized switches are enclosed in a durable terminal block. Terminals are easy to read and wire.
- Built-In mechanical time delay feature; minimizing the risk of false alarms due to pressure surges or air trapped in the system.
- Offers excellent performance during riser vibrations caused by large in-rushes of water.
- Designed and built for accuracy and repeatability.

Schematic Details

No.	Part Name	Material
1	Saddle	DI, A536 65-45-12
2	Holder	SS304+EPDM
3	Plate	Aluminium Alloy
4	Cover	Plastic
5	Paddle	Plastic
6	Microswitch	Aluminium Alloy
7	Gasket	Plastic
8	Retarding device	Plastic
9	Terminal Box	EPDM

Features



Size	DN50	DN65	DN80	DN100	DN125	DN150	DN200
L	84	92	104	133	160	187	239
H	190	200	220	245	270	300	350
Nominal Pipe Size OD.	60.3	73	88.9	114.3	141.3	168.3	219.1
Pipe Wall Thickness	2.77 - 3.91	3.05 - 5.16	3.05 - 5.49	3.05 - 6.02	3.40 - 6.55	3.40 - 7.11	3.76 - 8.18