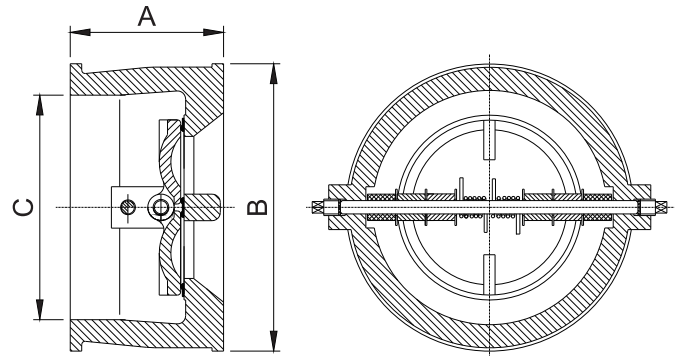


Schematic Drawing



Features

- 175 PSI Working Pressure
- -10° c to 120° c Working Temperature
- The extremely short face to face dimension and compact design of this valve allow installation and service in tight spaces.
- Spring assisted for better dynamic behaviour.
- Soft seated for perfect tightness even at low differential pressure.
- Flanges to ANSI B16. 1 Class125.
- Spray-painted or Fusion Bonded Epoxy Coated Interior and Exterior to AWWA C550 Standard.

Material Specification

Component	Material
Body	Cast Iron ASTM A126 Class B
Stop Pin	Stainless Steel AISI 416
Hinge Pin	Stainless Steel AISI 416
Seat	EPDM
Pin Retainer	Stainless Steel AISI 416
Gasket	PTFE
Washer	PTFE
Spacer	PTFE
Disc	Stainless Steel ASTM CF8
Spring	Stainless Steel AISI 304
Lifting Pin	Carbon Steel (Not Shown, only for 8", 10"&12')

Notes:

Design and material are subject to change without notice.

Dimensions (mm/inch)

Size	100mm/4"		150mm/6"		200mm/8"		250mm/10"		300mm/12"	
	mm	inch	mm	inch	mm	inch	mm	inch	mm	inch
A	93	3-11/16	105	4-1/8	121	4-3/4	154	6-1/16	187	7-3/8
B	172	6-3/4	220	8-11/16	280	11	340	13-3/8	410	16-1/8
C	136	5-3/8	178	7	230	9-1/16	285	11-1/4	338	13-5/16
Weight (kg)	8.4		13.5		23		42		68	