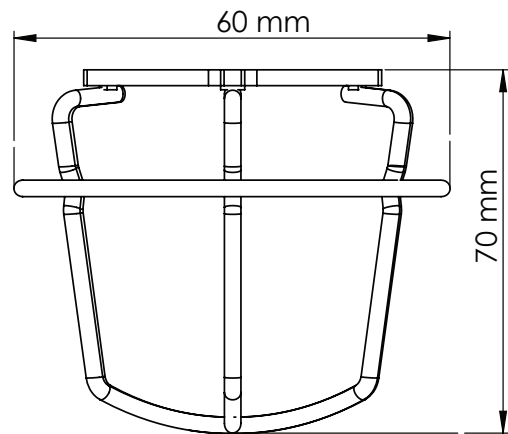




Installation

- Install the sprinkler, refer to appropriate installation instructions.
- Remove the Locking Ring from the Guard.
- Spread 2 halves of the guard apart and carefully slide the guard onto the sprinkler. Make sure the base plate of the guard slots into the groove below (pendant) or above (upright) sprinkler thread.
- Slide the Locking Ring onto the guard until it locks in position.

Dimension



Features

LIFECO's Sprinkler Guard encases the sprinkler to protect it from physical damage. Guards are recommended for sprinklers installed in areas exposed to high level of mechanical activities, e.g warehouse racks. Wire clip type guard suitable for use with most 1/2" sprinkler size in either the upright or pendent position.

Coating

Chrome Plated