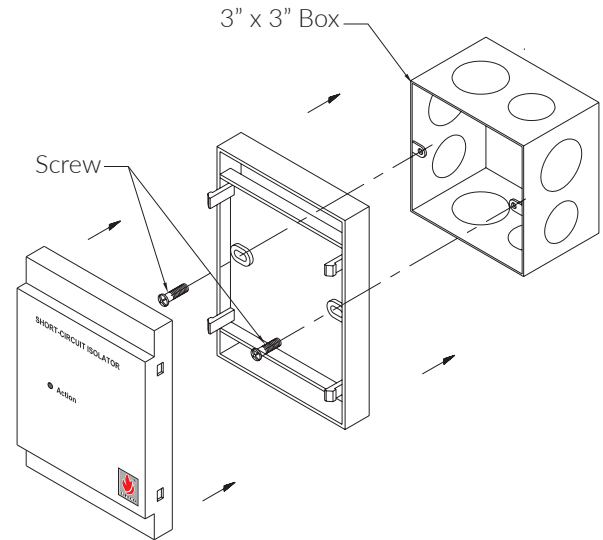
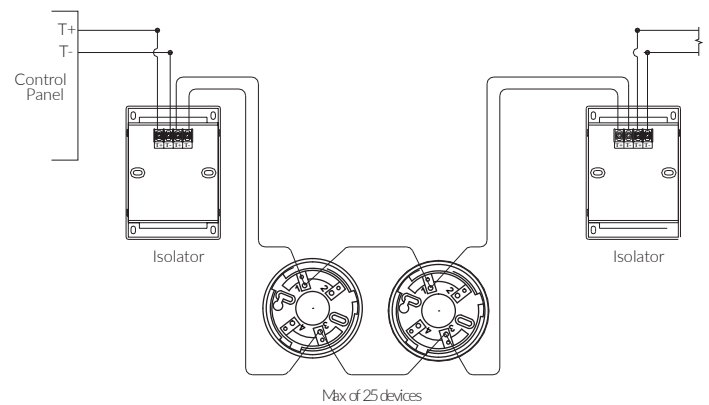




## Installation Details



## Wiring Details



Warning: Observe proper polarity on the module when terminating. The tip of the line conductor terminating at the isolator base should either be used with terminal lugs or coated with tin for high conductivity and reliability of the system.

The Short-Circuit Isolator loop circuit requires a twisted pair copper cable with a diameter of not less than 1.0mm<sup>2</sup>. The total resistance of the conductor based on the loop length should not exceed 30Ω.

## Technical Specification

|   |             |
|---|-------------|
| <b>Operating voltage</b>                | 18~26V DC   |
| <b>Quiescent current</b>                | ≤780μA      |
| <b>Alarm current</b>                    | 4.6mA       |
| <b>Max Circuit Current (continuous)</b> | 1A          |
| <b>Indicator light</b>                  | Yellow      |
| <b>Operating temperature</b>            | -10°C~+55°C |
| <b>Relative humidity</b>                | ≤95%        |
| <b>Module dimension</b>                 | 120x85x34mm |
| <b>Weight</b>                           | About 100g  |
| <b>Colour</b>                           | White       |

## Features

- Low Profile Design
- Built-in CPU
- Self-restoring
- Up to 25 Addressable Devices per Isolator
- Data Transfer Speed and Reliability
- Polarized Wiring
- LED Status Indicators
- High Performance at Low Cost
- Two Wire System

## Description

The LF-LI-6190 Short-Circuit Isolator provides short circuit protection on addressable device circuits. When a short is detected by the LF-LI-6190, it isolates the affected segment of the circuit, allowing the remaining devices to continue operation.

The LF-LI-6190 is self-restoring, automatically reconnecting to circuit segment when the fault is removed. The isolator's design widely applies to all kinds of industrial and commercial constructions with its high resistance to humidity, wide operating temperature range, high reliability and ease of installation and configuration.

## Dimension Details

