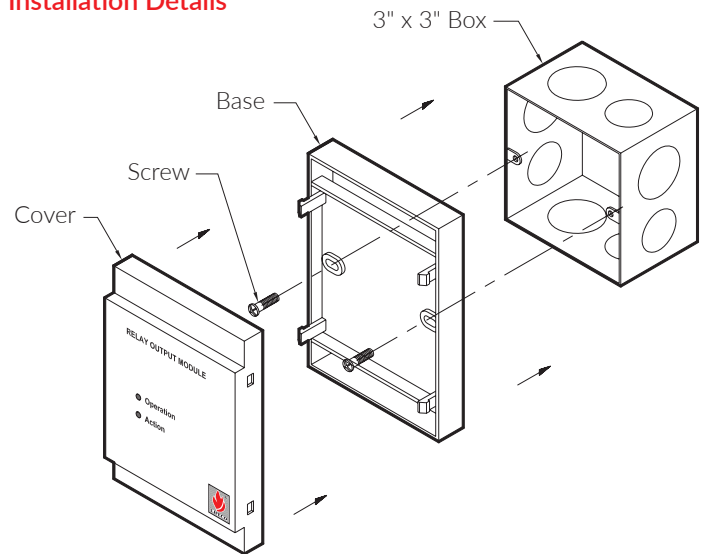
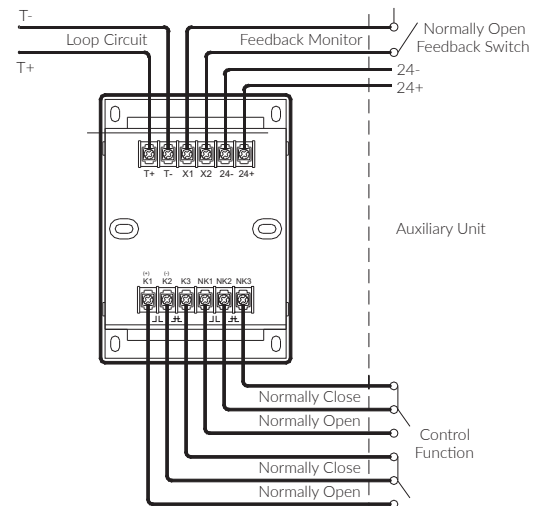




Installation Details



Wiring Details



There are ten connecting terminals mounted on the printed circuit board. Terminals T+ and T- are utilized for loop circuit wiring, terminals X1 and X2 are used to connect to a normally open feedback line input for monitoring and terminals K1 to NK3 are relay contacts wherein K1-K2 & NK1-NK2 are normally Open contacts and K2-K3 & NK2-NK3 are normally Close contacts.

The tip of the line conductor terminating at the device should either be used with terminal lugs or coated with tin for high conductivity and reliability of the system.

Technical Specifications

Operating voltage	18~26V DC
Quiescent current	T+ T- ≤380μA/DC24V ≤3.5mA
Alarm current	T+ T- ≤2.6mA/DC24V ≤13.5mA
Act indicator light	Red
Operation indicator light	Red
Contact rating	DC24V 2A, AC220V 0.5A
Operating temperature	10°C~+55°C
Relative humidity	≤95%
Module dimension	120x85x34mm
Weight	About 100g
Colour	White

Features

- Low Profile Design
- Built-in CPU
- Fast and Accurate response time
- Feedback Monitoring
- Data Transfer Speed and Reliability
- Polarized Wiring
- LED Status Indicators
- High Performance at Low Cost
- Two Wire System
- Use LF-DP-6190 for device addressing

Description

The LF-RM-6106 Relay Module provides the means of directly controlling an auxiliary device and its status as well. The Relay Module can be operated either by manual operation using switch inputs, or by automatic control using the Fire Panel logic functions.

It also adopts pre-emptive alarm technology which organizes the data received from the detection loop. The information with the highest priority would transfer first.

Other collected data shall be transmitted to the controller based on their priority status which ensures the rapid response of the system. Fire Alarm can be received in less than 1 second.

The Relay Module's design widely applies to all kinds of industrial and commercial constructions with its high resistance to humidity, wide operating temperature range, high reliability and ease of installation and configuration.

Dimension Details

