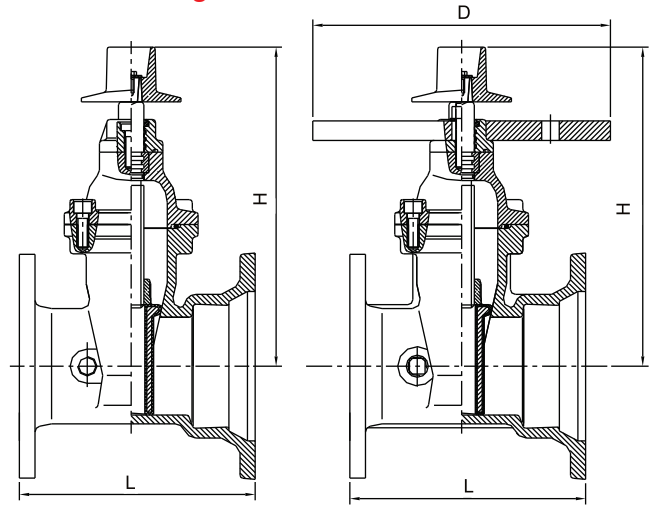


Schematic Drawing



Features

- Complies with AWWA C515 Standard
- NPT plug on body
- 300PSI Working pressure
- -10°C to 82°C Working temperature
- Ductile Iron Body
- Sizes: 3", 4", 6", 8", 10" & 12" - UL Listed
- Sizes: 2.5", 3", 4", 5", 6", 8", 10" & 12" - FM Approved

Notes:

-Design and material are subject to change without notice.

Material Specification

Part Name	Material	ASTM Spec.
Body	Ductile iron	A536 65-45-12
Wedge	Ductile iron	EPDM Encapsulated
Wedge nut	Bronze	B62 C83600
Stem	Stainless steel	AISI 420
Bonnet	Ductile iron	A536 65-45-12
Gasket	Rubber	EPDM
Packing	Graphite	Commercial
Gland	Ductile iron	A536 65-45-12
Thrust Collar	Brass	C67400
O-ring	Rubber	EPDM
Post flange	Ductile iron	A536 65-45-12
Operating nut	Ductile iron	A536 65-45-12
NPT Plug	Malleable iron	Commercial
Post flange bolt	Stainless steel	AISI 316
Bonnet bolt	Carbon steel	A307 B

Dimensions (mm/inch)

Size	3"		4"		6"		8"		10"		12"	
	mm	inch	mm	inch	mm	inch	mm	inch	mm	inch	mm	inch
L	222	8 ¾	241.5	9 ½	279.5	11	305	12	352.5	13 ⅞	367	14
H	296	11 ⅞	350	13 ¾	455	17.91	545	21.45	645	25 ⅜	730	28 ¾
D	--	--	305	12	305	12	305	12	305	12	305	12
Weight (kg)	21.4		31		51.5		77.5		77.5		169.5	