

## Technical and Environmental Specifications

Operating voltage	9 ÷ 30 VDC
Nominal operating voltage	24 VDC
Current consumption in alarm state	23mA/15V; 38mA/24V; 48mA/30V
Installation wires	0,4mm <sup>2</sup> ÷ 2.0mm <sup>2</sup>
Operation temperature	-10°C ÷ +60°C
Relative humidity	≤93% @ +40°C
Type of the frangible element	A
Material (plastic), Color	ABS, red
Degree of protection	IP40
Dimensions (incl. base)	90x57x90mm
Weight	150 G

## Description

The White Eagle MCP50 is a manual call point designed to work in conventional fire alarm systems. The call point has a resettable fragile working element to ensure reliable and safe operation. The LED indication informs the user for fire and test events.

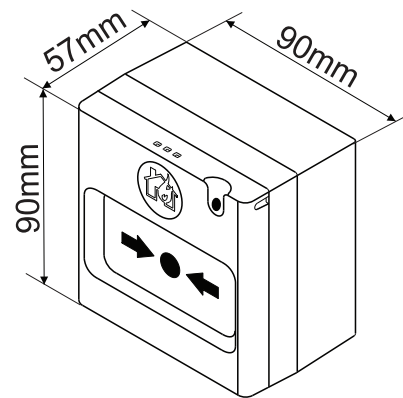
## Compatible Product Range

- White Eagle Series Conventional Fire Alarm Panel
- Protective Plastic Cover - Option for additional protection of the working element

## Packing Information

- Packing box - Kit of 1 unit MCP50 and 1 unit special tool for test and reset; dimensions 96x96x65 mm
- Carton box - 48 kits of the MCP50, dimensions 486x295x196 mm

## Dimension



## Connection Diagram

