

TECHNICAL DATA SHEET

for use by Architects & Engineers



Fire Hose Reel

Model No: LH19F, LH25F, LH19AF, LH25AF, LH19/SP, LH25/SP, LH19/ASP, LH25/ASP, LH19/SA, LH25/SA, LH19/ASA, LH25/ASA



Features

- Easy to install
- Simple and compact
- Light to handle
- Automatic or manual operation
- Hose available in red or black color
- Choice of two sizes 25mm & 19mm

Description

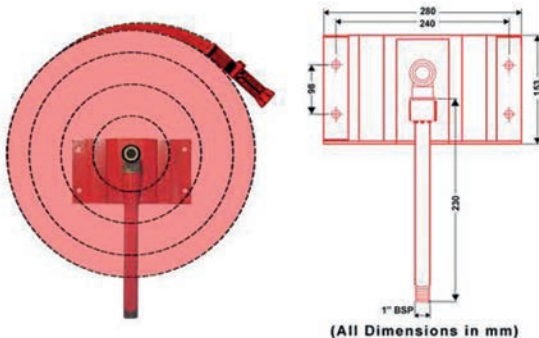
Lifeco hose reels have an extensive range with swnging & fixed type with manual & automatic operation to suit any architectural and installation requirements.

Hose reel discs are made of 1.2mm pre-treated electrogalvanized steel sheet, painted with electrostatic powder coating and oven baked at 200°C. Hosereel side plates are protected with a polyester powder coating that complies to salt spray test requirement which is specified in ISO 9227 for 240hrs.

Hose reel drum has formation of hydraulically pressed ribs to give extra strength and to avoid twisting. The outer edges are rolled over to give a safe handling edge on the outer rims and better appearance.

Automatic fire hose reels are available with an internal valve built into the hose reel unit which opens within 3 revolutions of the hose reel as the hose is pulled out and closes when the hose is wound back to the reel.

Types of Fire Hose Reel

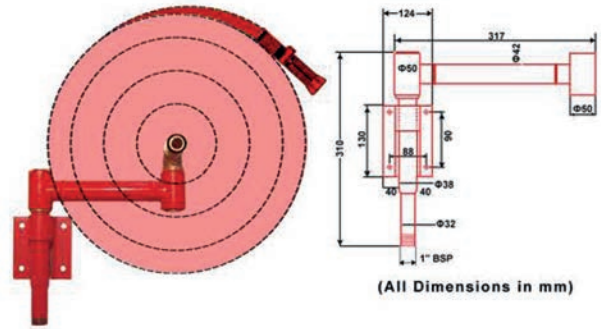


Fixed Type

Manual and Automatic

Fixed type hose reels Manual and Automatic are specially designed for east mounting on a flat wall and easy accessibility.

Manual	LH19F, LH25F
Automatic	LH19AF, LH25AF
Hose reel diameter	580mm
Hose length	30m

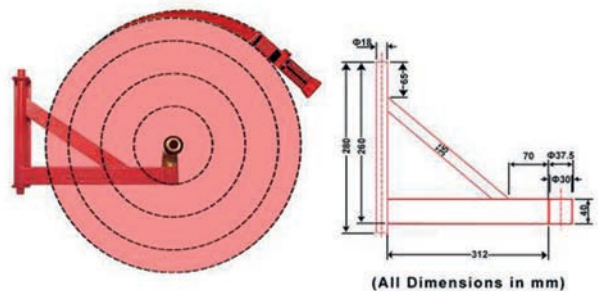


Swinging Pipe Type

Manual and Automatic

Swinging Pipe Manual and Automatic Fire hose reels are designed for mounting on flat wall where access is limited in a recessed cabinet or any riser shaft. Maximum swinging angle if wall mounted is 180°

Manual	LH19/SP, LH25/SP
Automatic	LH19/ASP, LH25/ASP
Hose reel diameter	580mm
Hose length	30m



Swinging Arm Type

Manual and Automatic

Swinging arm manual and automatic fire hose reels are specially designed for mounting on flat walls, where access is limited in a recessed cabinet or any riser shaft. Maximum swinging angle if wall mounted is 180°

Manual	LH19/SA, LH25/SA
Automatic	LH19/ASA, LH25/ASA
Hose reel diameter	580mm
Hose length	30m

TECHNICAL DATA SHEET

for use by Architects & Engineers



Fire Hose Reel

Model No: LH19F, LH25F, LH19AF, LH25AF, LH19/SP, LH25/SP, LH19/ASP, LH25/ASP, LH19/SA, LH25/SA, LH19/ASA, LH25/ASA

Fire Hose Reel Accessories



Hose

Hose is semi rigid made of rubber in red color manufactured to European Standard BS EN 694. The hose has three ply with two synthetic rubber layers and textile reinforcement.

Diameter of hose	19mm & 25mm
Max working pressure	12 Bar
Max burst pressure	42 Bar
Proof pressure	24 Bar
Approval	BSI EN 694



Nozzle

Rigid plastic fast opening (Equivalent Diameter 6mm) Shut - Spray - Jet Spray discharge pattern in conical form with a spray angle more than 45°

Size	Jet		Spray	
	19mm	25mm	19mm	25mm
Min. flow rate at 6 bar	48	49.5	65.9	83.9
Effective throw range at 2 bar	>10	>10	>3	>3



Valve Nipple

Valve shall be of 3/4" or 1" ball valve and nipple of 3/4" or 1". Body made of brass.