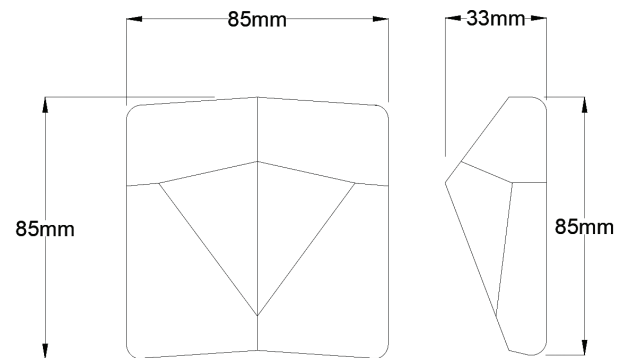




Technical & Environmental Specification

Operating Voltage	24 VDC (5~28V)
	3.3 VDC (2~5V)
Operating current	0.6~20mA
Alarm	Red LED flash
Dimension	85x85x33mm
Weight	50g
Colour	White
Material	PC Polycarbonate

Dimension Details



Features

- Easy installation
- Wide viewing angle
- Low profile design
- Low power consumption
- High precision and stability
- Quick fire alarm transfer speed
- High accuracy of fire detection
- 2 LED indicators

Description

The LFR-100 LED remote indicator is an attractive device used in installations where a detector going to alarm is likely to occur behind a locked door, inaccessible rooms, or in a ceiling void to provide indication of the activation of a fire detector.

The indicator's design widely applies to all kinds of industrial and commercial constructions requiring a local visual indicator such as process control, security and shut down operations, with its high reliability and ease of installation.

Wiring Details

