



Description

The LF-DP-6190 Handheld Programmer is responsible for addressing fire alarm devices such as call points, detectors and modules connected in a loop.

The programmer has both internal 9V battery and external 24 VDC power supply methods available. The power supply switch is located at the left side of the programmer.

New input codes can be addressed into bus equipments by the Write Address (W.A) button and be displayed on the LCD screen.

Also, bus equipments' address code can be read by pressing the Read Address (R.A) button and be displayed on the LCD screen.

Calibrated and Analog Value of bus equipments can also be read and be displayed on the LCD screen by pressing R.C.V and R.A.V. buttons respectively.

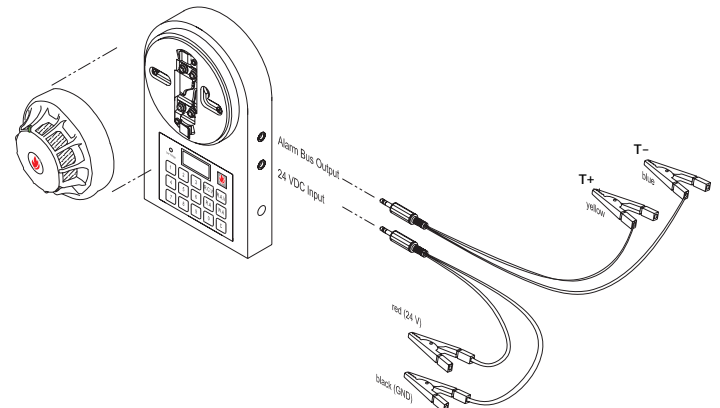
Features

- Address Coding and Reading of addressable devices
- Analog Value Reading
- Calibrated Value Reading
- Low Voltage Indicator
- Optional Power Supply (9V Internal Battery or External 24 VDC)
- LCD Screen

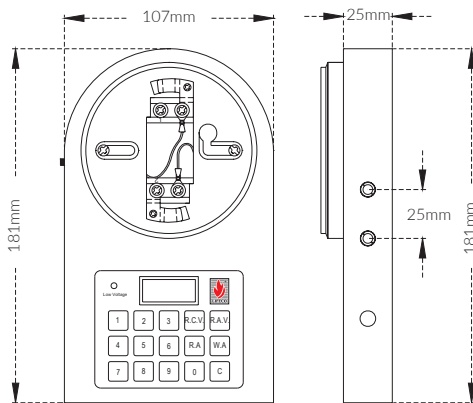
Technical Specifications

Operating voltage	24VDC / 18VDC
Quiescent current	1.7mA max/24VDC 1.7mA max/18VDC
Operating current	2.7mA max/24VDC 2.2mA max/18VDC
Operating temperature	-10°C~+50°C
Relative Humidity	≤95%
Dimension	181x107x25mm
Color	Off-white

Installation Details



Dimension Details



The LF-DP-6190 Handheld Programmer can be used either by installing a detector through its fascia or through alligator clips depending on the type of bus equipment. The first set socket terminal on the right side (yellow, blue lines) is the Alarm Bus Output Line which is used for address coding and analog value operation reading. The second set socket terminal (red, Black lines) is 24 V Power Supply Input Line which is used when the programmer uses external power supply.