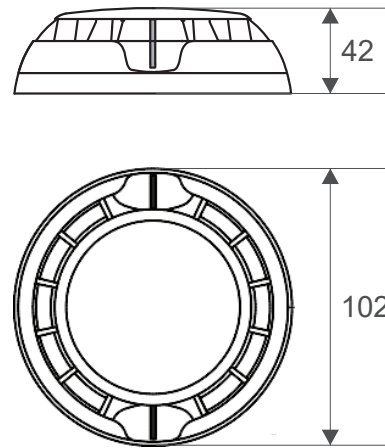


Dimension Details



Description

The F10 is a fixed temperature detector with digital processing algorithm. The detector is designed to detect temperatures above 60°C (class A2S, according EN54-5).

The F10 is suitable for installing in any conventional fire alarm system designed with fire alarm panel with fire alarm threshold between 10mA and 15mA.

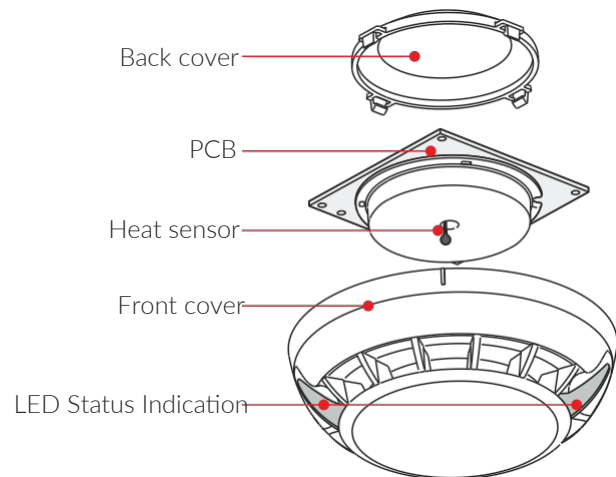
Application

The F10 is suitable for environments, where sudden large temperature changes are considered as normal, rooms with high concentration of vaporous, exhaust gases, dust, etc.

For example: kitchens, garages, boiler rooms or other places where it is not convenient to install fire alarm optical smoke detectors.

Technical & Environmental Specification

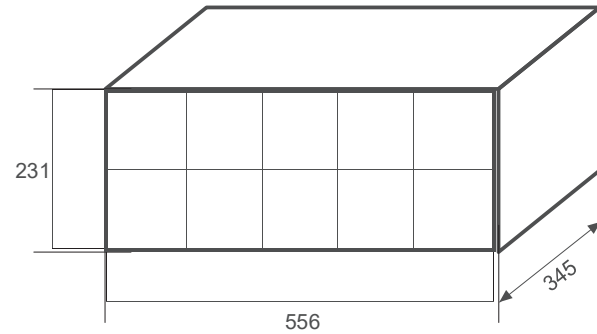
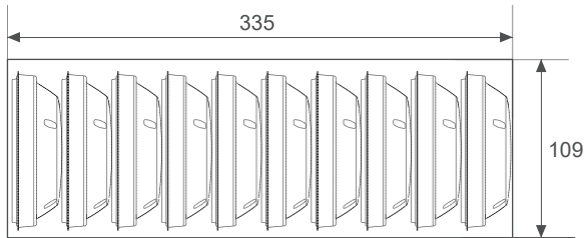
Operating Voltage Range	9 - 30 V DC (Nom. 12/24VDC)
Average current consumption in quiescent state.	< 50µA
Alarm state current: - with base type B24 and B24D	20 mA / 12 30V
Class (in accordance with EN54-5)	A2/S
Output in alarm state at terminal RI (Towards terminals +IN /+OUT)	20mA (max)/ -3.3V
Wire Gauge for terminals	0.4mm ² 2.0mm ²
Operational temperature range	-10°C +60°C
Relative humidity resistance	(93 ± 3)% @ 40°C
Dimensions (incl. base)	ø102mm, h 42mm
Weight (incl. base)	160g



Packing Information

• Master box - 10 units S30, no bases included, dimensions 335 x 109 x 109 mm.
All detectors are protected with a plastic cap.

• Carton box - 100 units S30, (10 master boxes), no bases included, dimensions 556 x 345 x 231 mm.
All detectors are protected with a plastic cap.



Compatible Product Range

- EAGLE 2 - Conventional Fire Alarm Panel, 2 fixed zones
- EAGLE 4 - Conventional Fire Alarm Panel, 4 fixed zones
- EAGLE 8 - Conventional Fire Alarm Panel, 8 fixed zones
- EAGLE 12 - Conventional Fire Alarm Panel, 12 fixed zones
- EAGLE 16 - Conventional Fire Alarm Panel, 16 fixed zones
- EAGLE B24 - Standard Base