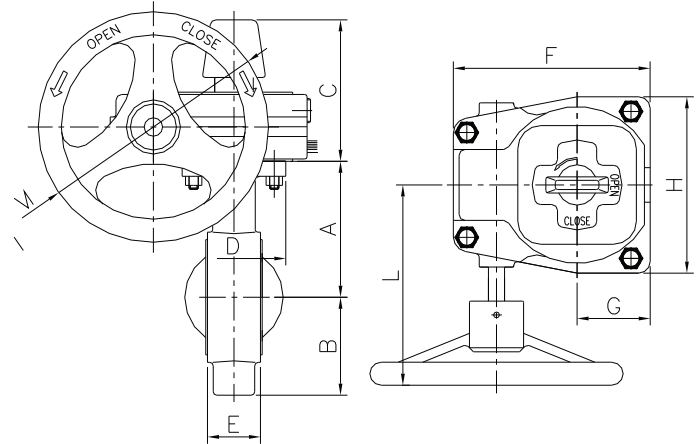


## Schematic Drawing



### Features

- Single piece through shaft
- Vulcanized seat design for bubble-tight shutoff at 300 psi.
- Flag type position indicator.
- Low torque operation, high cycle life.
- With built-in supervisory switch.
- Top flange to ISO 5211/1.
- Flanges to ANSI B16. 1 Class125, EN1092- 2 PN10/ 16. (Other types available upon request)
- 300PSI (200PSI and 250PSI available on request)
- UL Listed for size 2" - 12"
- FM Approved for 2" - 6"

Available Sizes: 2.5", 3", 4", 5", 6", 8", 10" & 12"

### Notes:

Design and material are subject to change without notice.

### Material Specification

Part Name	Material	ASTM Spec.
Body	Ductile iron	A536 65-45-12
Seat	Rubber	EPDM
Disc	Ductile iron	A536 65-45-12
Shaft	Stainless Steel	AISI 431
Bushing	Brass	C67400
Gearbox Housing	Cast Iron	A 126 Class B
Gearbox Cover	Cast Iron	A 126 Class B
Worm gear	Bronze	C62300
Worm	Stainless Steel	AISI 316
Hand wheel	Cast Iron	A 126 Class B

### Installation sheet for Gear Operator With Tamper Switch

Butterfly valves are provided with internal supervisory position switches. The tamper switch operates by a cam connected to the valve stem. The switch will change position and close within two (2) full turns of the hand wheel from the fully open position.

#### Switch #1:

For connection to the supervisory circuit

Normally closed: 2 Yellow

Normally open: 2 Red

Common: 2 White

#### Switch #2:

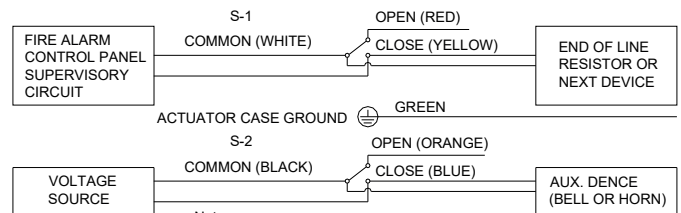
Auxiliary switch connected per authority

Normally closed: 1 Blue

Normally open: 1 Orange

Common: 1 Black

Ground Lead: 1 Green



- Notes:  
 1. Item no. VSION 021 C2.  
 2. Rated: 10A 125-250VAC.

### Dimensions (mm/inch)

Size	A	B	D	E	C	F	G	H	L	M
2"	110/4.33	74/2.91	90/3.54	43/1.69	120/4.72	170/6.69	65/2.56	155/6.10	150/5.91	200/7.87
2.5"	118/4.65	85/3.35	90/3.54	46/1.81	120/4.72	170/6.69	65/2.56	155/6.10	150/5.91	200/7.87
3"	130/5.12	95/3.74	90/3.54	46/1.81	120/4.72	170/6.69	65/2.56	155/6.10	150/5.91	200/7.87
4"	145/5.71	115/4.53	90/3.54	52/2.05	120/4.72	170/6.69	65/2.56	155/6.10	150/5.91	200/7.87
5"	160/6.30	130/5.12	90/3.54	56/2.20	120/4.72	170/6.69	65/2.56	155/6.10	150/5.91	200/7.87
6"	175/6.89	145/5.71	90/3.54	56/2.20	120/4.72	170/6.69	65/2.56	155/6.10	150/5.91	200/7.87
8"	200/7.87	170/6.69	125/4.92	60/2.36	160/6.30	225/8.86	85/3.35	206/8.11	200/7.87	300/11.81
10"	250/9.84	208/8.19	125/4.92	68.5/2.70	160/6.30	225/8.86	85/3.35	206/8.11	200/7.87	300/11.81
12"	275/10.83	238/9.37	125/4.92	79.5/3.13	160/6.30	225/8.86	85/3.35	206/8.11	200/7.87	300/11.81