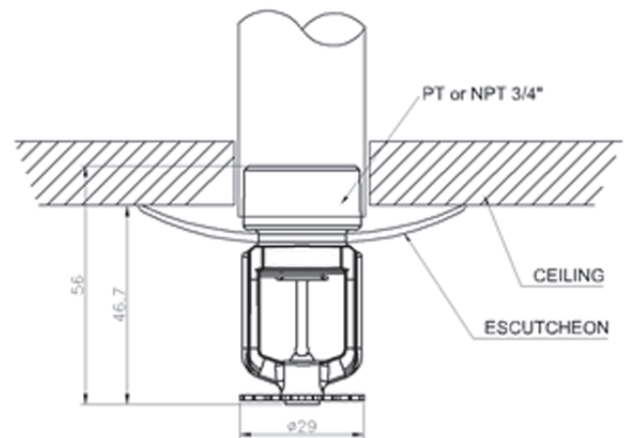


Technical & Environmental Specification

Minimum Operating Pressure	7 psi (0.5 bar)
Maximum Working Pressure	175 psi (12 bar)
Discharge Coefficient	$K = 8.0 \text{ GPM/psi}^{1/2}$ (115.2 LPM/bar ^{1/2})
Temperature Rating	135°F/155°F/175°F/200°F/286°F (57°C/68°C/79°C/93°C/141°C)
Leakage Test at Factory	30Kgf/cm ² (0.3Mpa, 29.4bar, 426.7 psi)



Installation Details



The LIFECO sprinklers are intended for fire protection systems designed in accordance with the standard installation rules of the applicable listings or approval agency. (eg., NFPA 13 or FM's Loss Prevention Data Sheets)

Note:

Do not install any bulb type sprinkler if the bulb is cracked or there is a loss of fluid from the bulb. And with the sprinkler held horizontally, a small air bubble should be present. The sprinkler joint should be obtained with maximum torque of 28.5 Nm (21 ft-lbs)

Features

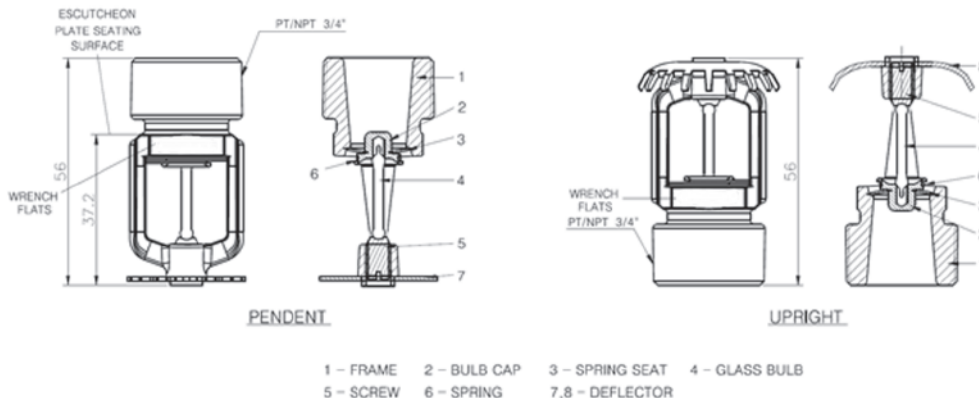
- Glass bulb
- Standard Spary Pattern
- K-factor 8
- Quick & Standard Response

Description

LIFECO Standard and Quick response sprinklers are thermo sensitive glass bulb sprinklers available in different finishes and temperature ratings to meet design requirements. These sprinklers are standard spray pattern to meet approval agencies requirement. Especially, the Nickel-Chrome plated sprinklers are decorative and attractive, so it is well matched to customer interior decoration. In addition, Nickel-Chrome plating might be utilized to extend the life of copper alloy sprinkler, although it has passed the standard corrosion test. LIFECO sprinklers may be ordered and/or used as open sprinklers. (glass bulb and bulb cap assembly removed)

Dimension Details

Frame	Forging Brass
Deflector	Brass
Spring Seat	Ni-Be alloy, coated on both sides with Teflon Tape
Bulb	Glass
Bulb Cap	Brass
Screw	Brass
Spring	Stainless Steel



Sprinkler Temperature Ratings & Finishes

Sprinkler Temperature Classification	Sprinkler Nominal Temperature Rating ¹	Maximum Ambient Ceiling Temperature ²	Bulb Color
Ordinary	135°F (57°C)	100°F (38°C)	Orange
Ordinary	155°F (68°C)	100°F (38°C)	Red
Intermediate	175°F (79°C)	150°F (65°C)	Yellow
Intermediate	200°F (93°C)	150°F (65°C)	Green
High	286°F (141°C)	225°F (107°C)	Blue

Sprinkler Finishes : Brass, Nickel-Chrome, White Polyester, Black Teflon Coating

Footnotes

- The sprinkler temperature rating is stamped on the deflector.
- Based on NFPA-13. Other limits may apply, depending on fire loading, sprinkler location, and other requirements of the Authority Having Jurisdiction. Refer to specific installation standards.

Approval Chart

SIN	Thread Size		Nominal K-Factor		Overall Length		Listings and Approvals
	PT	NPT	U.S.	Metric	Inches	mm	UL
LF410	3/4"	3/4"	8.0	115.2	1.84	47.8	A1, B1, C1, D1, E1
LF411	3/4"	3/4"	8.0	115.2	1.84	47.8	A1, B1, C1, D1
LF420	3/4"	3/4"	8.0	115.2	1.88	48.8	A1, B1, C1, D1, E1
LF421	3/4"	3/4"	8.0	115.2	1.88	48.8	A1, B1, C1, D1

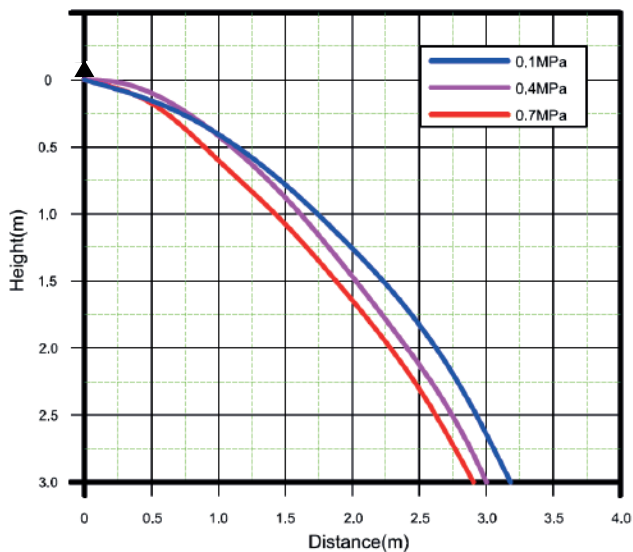
Approved Temperature Ratings

- A - 135°F (57°C)
- B - 155°F (68°C)
- C - 175°F (79°C)
- D - 200°F (93°C)
- E - 286°F (141°C)

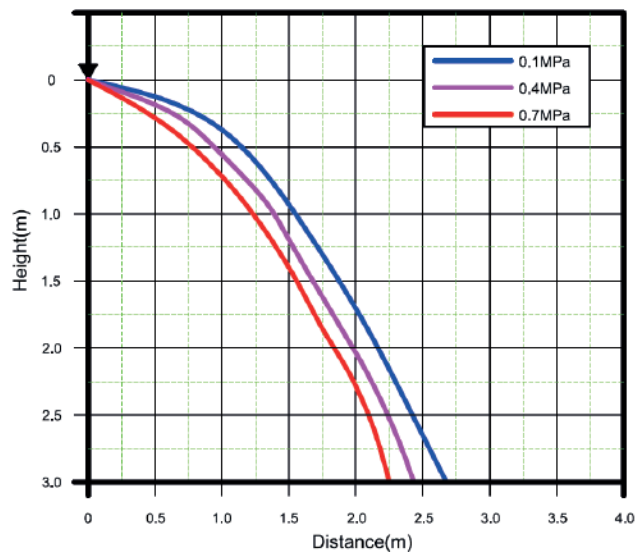
Approved Finishes

- 1- Brass, Nickel-Chrome, White Polyester, and Black Teflon coating

Water Spray Pattern



Upright (LF410/LF411)



Pendant (LF420/LF421)