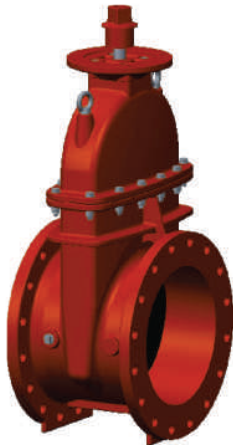


TECHNICAL DATA SHEET

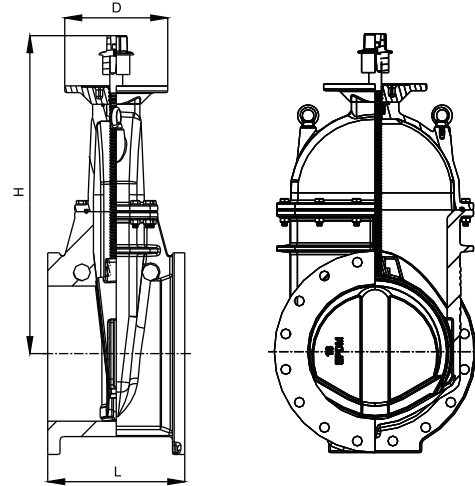
for use by Architects & Engineers

NRS Resilient Seated Gate Valve - Mechanical Joint- 200PSI

Model No: 3188-200-MJLF / Sizes: 20" & 24"



Sectional Detail



Features

- Complies with AWWA C515 Standard
- Non-rising stem
- With handwheel or a 2" operating nut
- Triple O-rings stem seal
- NPT plug on body
- Flanges to ANSI B16.1 Class 125 (Other flange types available upon request)
- UL Listed
- 200 PSI
- -10°C to 82°C Working temperature
- Corrosion protection - Fusion bonded epoxy coated interior and exterior to AWWA C550 standard

Note:

Design and material are subject to change without notice.

Material Specification

Part Name	Material	ASTM Spec.
Body	Ductile iron	A536 65-45-12
Wedge	Ductile iron	EPDM Encapsulated
Wedge nut	Bronze	B62 C83600
Stem	Stainless steel	AISI 420
Bonnet	Ductile iron	A536 65-45-12
Gasket	Rubber	EPDM
Packing	Graphite	Commercial
Post flange	Ductile iron	A536 65-45-12
Thrust collar	Brass	C67400
O-ring	Rubber	EPDM
Operating nut	Ductile iron	A536 65-45-12
NPT plug	Malleable iron	Commercial
Post flange bolt	Carbon Steel	A307 B
Bonnet bolt	Carbon steel	A307 B

Dimensions

Size	600/20"		600/24"	
	mm	inch	mm	inch
L	457	18	508	20
H	1120	44.09	1290	50.79
D	305	12	305	12